

6'-0" Width x 4'-0" Height

Fill Height (Ft.)	Top Slab										Bottom Slab										Sidewall				Mark "E" Distribution				Quantities			
	TS	J	K	Mark	Type	Length	A	B	C	D	BS	M	N	Mark	Type	Length	A	B	C	D	SW	P	R	Mark	Type	Length	W	X	Y	Z	Concrete CY/LF	Steel LBS/LF
0-2	9"	5"	5"	A	1	8-7	6-11	0-10	0-5	7-4	10"	5"	5"	B	1	9-7	7-11	0-10	0-5	8-4	10"	5	12"	C	Str	5-2	10"	5	12"	12"	0.73	82
2.01-5	9"	5"	5"	A	1	8-7	6-11	0-10	0-5	7-4	10"	5"	5"	B	1	9-7	7-11	0-10	0-5	8-4	10"	5	12"	C	Str	5-2	10"	5	12"	12"	0.73	82
5-10	8"	5"	6"	A	1	8-7	6-11	0-10	0-5	7-4	9"	5"	6"	B	1	9-7	7-11	0-10	0-5	8-4	10"	5	12"	C	Str	5-0	10"	5	12"	12"	0.68	74
10-15	9"	5"	5"	A	1	8-7	6-11	0-10	0-5	7-4	10"	5"	5"	B	1	9-7	7-11	0-10	0-5	8-4	10"	5	12"	C	Str	5-2	10"	5	12"	12"	0.73	82
15-20	9"	6"	5"	A	1	8-10	6-10	1-0	0-6	7-4	10"	6"	5"	B	1	9-10	7-10	1-0	0-6	8-4	10"	5	12"	C	Str	5-2	10"	5	12"	12"	0.73	104
20-25	10"	6"	5"	A	1	8-10	6-10	1-0	0-6	7-4	11"	6"	5"	B	1	9-10	7-10	1-0	0-6	8-4	10"	5	12"	C	Str	5-4	10"	5	12"	12"	0.78	104
25-30	11"	7"	6"	A	1	9-1	6-9	1-2	0-7	7-4	12"	7"	6"	B	1	10-1	7-9	1-2	0-7	8-4	10"	5	12"	C	Str	5-6	10"	5	12"	12"	0.83	115
30-35	12"	8"	6"	A	1	9-2	6-8	1-3	0-8	7-4	13"	8"	6"	B	1	10-2	7-8	1-3	0-8	8-4	10"	5	12"	C	Str	5-8	10"	5	12"	12"	0.88	141
35-40	13"	8"	5"	A	1	9-2	6-8	1-3	0-8	7-4	14"	8"	5"	B	1	10-2	7-8	1-3	0-8	8-4	10"	5	12"	C	Str	5-10	10"	5	12"	12"	0.93	162

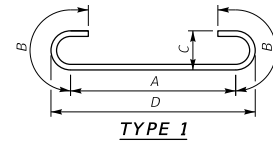
6'-0" Width x 6'-0" Height

Fill Height (Ft.)	Top Slab										Bottom Slab										Sidewall				Mark "E" Distribution				Quantities			
	TS	J	K	Mark	Type	Length	A	B	C	D	BS	M	N	Mark	Type	Length	A	B	C	D	SW	P	R	Mark	Type	Length	W	X	Y	Z	Concrete CY/LF	Steel LBS/LF
0-2	9"	5"	5"	A	1	8-7	6-11	0-10	0-5	7-4	10"	5"	5"	B	1	9-7	7-11	0-10	0-5	8-4	10"	5	12"	C	Str	7-2	10"	5	12"	12"	0.86	90
2.01-5	9"	5"	5"	A	1	8-7	6-11	0-10	0-5	7-4	10"	5"	5"	B	1	9-7	7-11	0-10	0-5	8-4	10"	5	12"	C	Str	7-2	10"	5	12"	12"	0.86	90
5-10	8"	5"	6"	A	1	8-7	6-11	0-10	0-5	7-4	9"	5"	6"	B	1	9-7	7-11	0-10	0-5	8-4	10"	5	12"	C	Str	7-0	10"	5	12"	12"	0.81	82
10-15	9"	5"	5"	A	1	8-7	6-11	0-10	0-5	7-4	10"	5"	5"	B	1	9-7	7-11	0-10	0-5	8-4	10"	5	12"	C	Str	7-2	10"	5	12"	12"	0.86	90
15-20	9"	6"	5"	A	1	8-10	6-10	1-0	0-6	7-4	10"	6"	5"	B	1	9-10	7-10	1-0	0-6	8-4	10"	5	11"	C	Str	7-2	10"	5	12"	12"	0.86	113
20-25	10"	6"	5"	A	1	8-10	6-10	1-0	0-6	7-4	11"	6"	5"	B	1	9-10	7-10	1-0	0-6	8-4	10"	5	10"	C	Str	7-4	10"	5	12"	12"	0.91	115
25-30	11"	7"	5"	A	1	9-1	6-9	1-2	0-7	7-4	12"	7"	5"	B	1	10-1	7-9	1-2	0-7	8-4	10"	5	9"	C	Str	7-6	10"	5	12"	12"	0.96	145
30-35	12"	8"	5"	A	1	9-2	6-8	1-3	0-8	7-4	13"	8"	5"	B	1	10-2	7-8	1-3	0-8	8-4	10"	5	8"	C	Str	7-8	10"	5	12"	12"	1.01	178
35-40	14"	7"	5"	A	1	9-1	6-9	1-2	0-7	7-4	15"	7"	5"	B	1	10-1	7-9	1-2	0-7	8-4	10"	5	7"	C	Str	8-0	10"	5	12"	12"	1.11	152

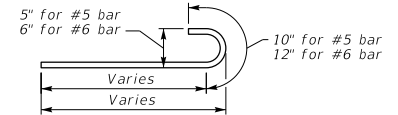
6'-0" Width x 8'-0" Height

Fill Height (Ft.)	Top Slab										Bottom Slab										Sidewall				Mark "E" Distribution				Quantities			
	TS	J	K	Mark	Type	Length	A	B	C	D	BS	M	N	Mark	Type	Length	A	B	C	D	SW	P	R	Mark	Type	Length	W	X	Y	Z	Concrete CY/LF	Steel LBS/LF
0-2	9"	5"	5"	A	1	8-7	6-11	0-10	0-5	7-4	10"	5"	5"	B	1	9-7	7-11	0-10	0-5	8-4	10"	5	12"	C	Str	9-2	10"	5	12"	12"	0.98	99
2.01-5	9"	5"	5"	A	1	8-7	6-11	0-10	0-5	7-4	10"	5"	5"	B	1	9-7	7-11	0-10	0-5	8-4	10"	5	12"	C	Str	9-2	10"	5	12"	12"	0.98	99
5-10	8"	5"	5"	A	1	8-7	6-11	0-10	0-5	7-4	9"	5"	5"	B	1	9-7	7-11	0-10	0-5	8-4	10"	5	10"	C	Str	9-0	10"	5	12"	12"	0.93	102
10-15	9"	5"	5"	A	1	8-7	6-11	0-10	0-5	7-4	10"	5"	5"	B	1	9-7	7-11	0-10	0-5	8-4	10"	5	9"	C	Str	9-2	10"	5	12"	12"	0.98	105
15-20	9"	6"	5"	A	1	8-10	6-10	1-0	0-6	7-4	10"	6"	5"	B	1	9-10	7-10	1-0	0-6	8-4	10"	5	8"	C	Str	9-2	10"	5	12"	12"	0.98	130
20-25	10"	6"	5"	A	1	8-10	6-10	1-0	0-6	7-4	11"	6"	5"	B	1	9-10	7-10	1-0	0-6	8-4	10"	5	7"	C	Str	9-4	10"	5	12"	12"	1.03	135
25-30	11"	8"	6"	A	1	9-2	6-8	1-3	0-8	7-4	12"	8"	6"	B	1	10-2	7-8	1-3	0-8	8-4	10"	5	6"	C	Str	9-6	10"	5	12"	12"	1.08	177
30-35	12"	8"	5"	A	1	9-2	6-8	1-3	0-8	7-4	13"	8"	5"	B	1	10-2	7-8	1-3	0-8	8-4	10"	5	5"	C	Str	9-8	10"	5	12"	12"	1.13	206
35-40	14"	8"	5"	A	1	9-2	6-8	1-3	0-8	7-4	15"	8"	5"	B	1	10-2	7-8	1-3	0-8	8-4	10"	6	6"	C	Str	10-0	10"	5	12"	12"	1.23	218

NOTE:
A & B bars may need to be rotated to maintain shown clearances.

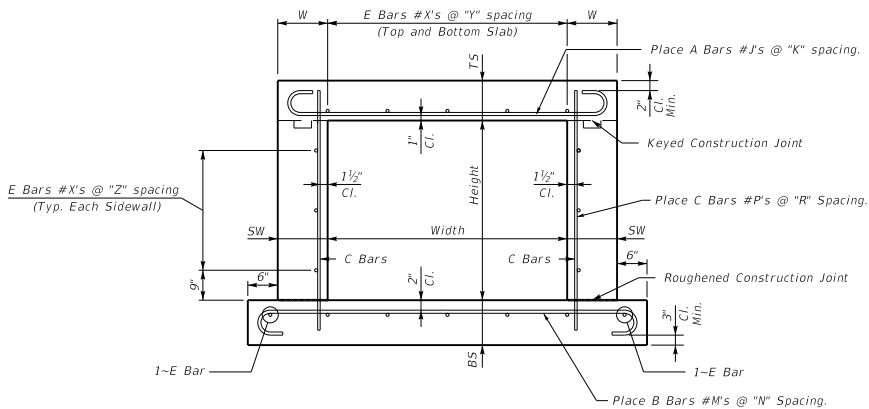


TYPE 1

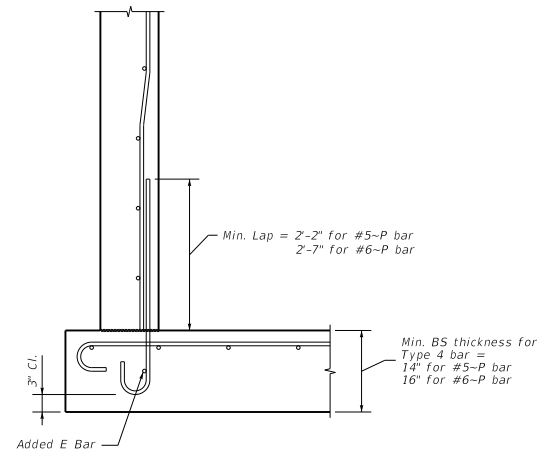


TYPE 4

NOTE:
Bar Dimensions are per bar.



TYPICAL BARREL SECTION



OPTIONAL HOOK DETAIL

NOTE:
The contractor will not be paid additionally if optional hook detail is used.

KENTUCKY
DEPARTMENT OF HIGHWAYS

STANDARD CULVERT
6' - 0" WIDTH

STANDARD DRAWING NO. BSC-002

SUBMITTED *Bert Adams* 02-26-20
DATE DIRECTOR DIVISION OF STRUCTURAL DESIGN
APPROVED *[Signature]* 02-26-20
DATE STATE ENGINEER